



DIPLOMATIC
HYDRAULICS

66 300/104 ED



RPC1*/4M

FLOW CONTROL VALVE

SERIES 10

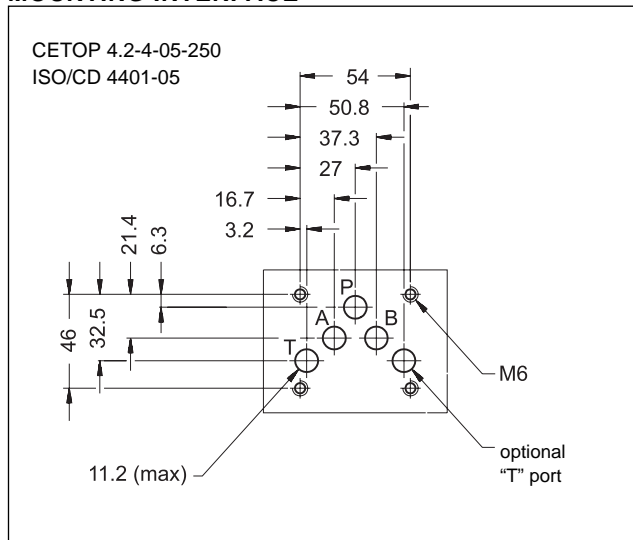
MODULAR VERSION

CETOP 05

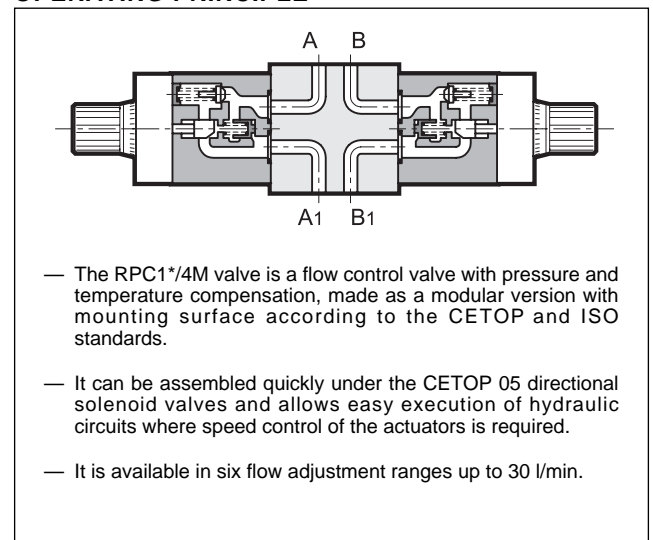
p max 250 bar

Q max (see performance ratings table)

MOUNTING INTERFACE



OPERATING PRINCIPLE

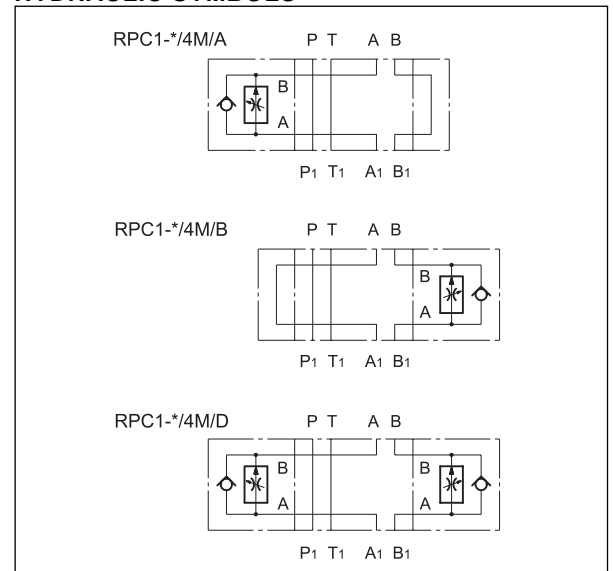


CONFIGURATIONS (see Hydraulic symbols table and Identification Code - par. 1)

PERFORMANCE RATINGS (measured with mineral oil of viscosity 36cSt at 50°C)

Maximum operating pressure	bar	250
Maximum flow rate in the controlled lines	l/min	1-4-10-16-22-30
Maximum flow rate in the free lines	l/min	100
Reverse free flow maximum flow rate	l/min	40
Ambient temperature range	°C	-20 ÷ +50
Fluid temperature range	°C	-20 ÷ +80
Fluid viscosity range	cSt	10 ÷ 400
Recommended viscosity	cSt	25
Degree of fluid contamination	According to NAS 1638 class 10	
Mass: RPC1*/4M/ A-B RPC1*/4M/ D only modular block CETOP 05 without flow control valves: RPC1-K/4M/D	kg	4,6 5,6 3

HYDRAULIC SYMBOLS



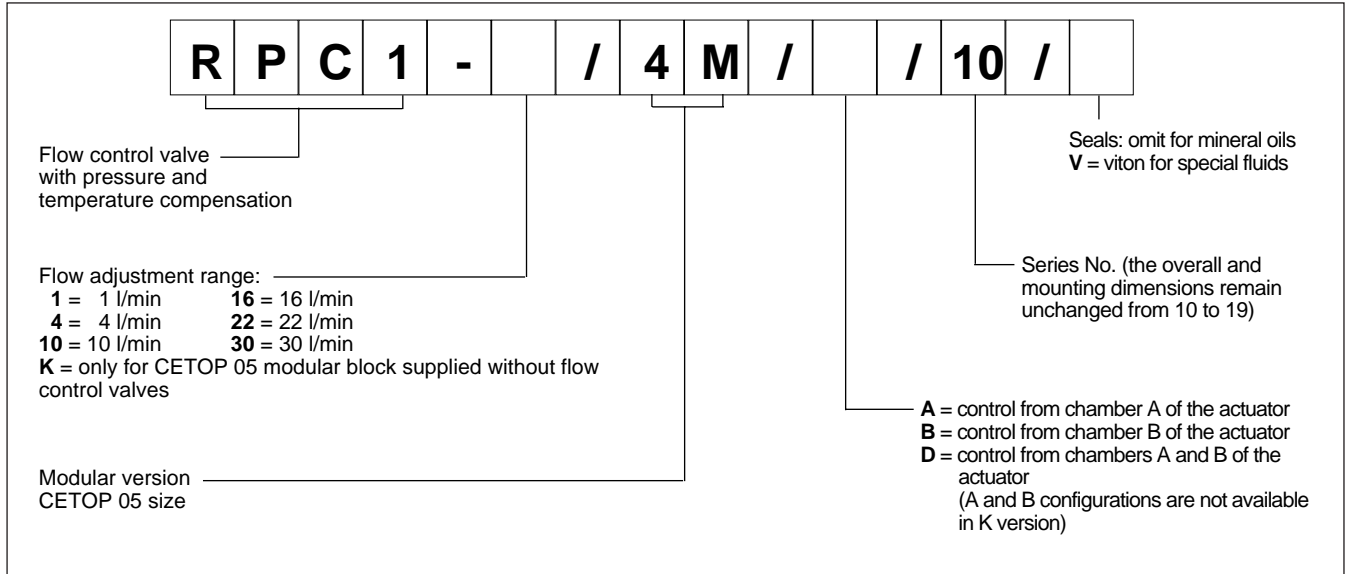
NOTE: for detailed information regarding the RPC1 flow control valve, see catalogue 32 200



RPC1*/4M

SERIES 10

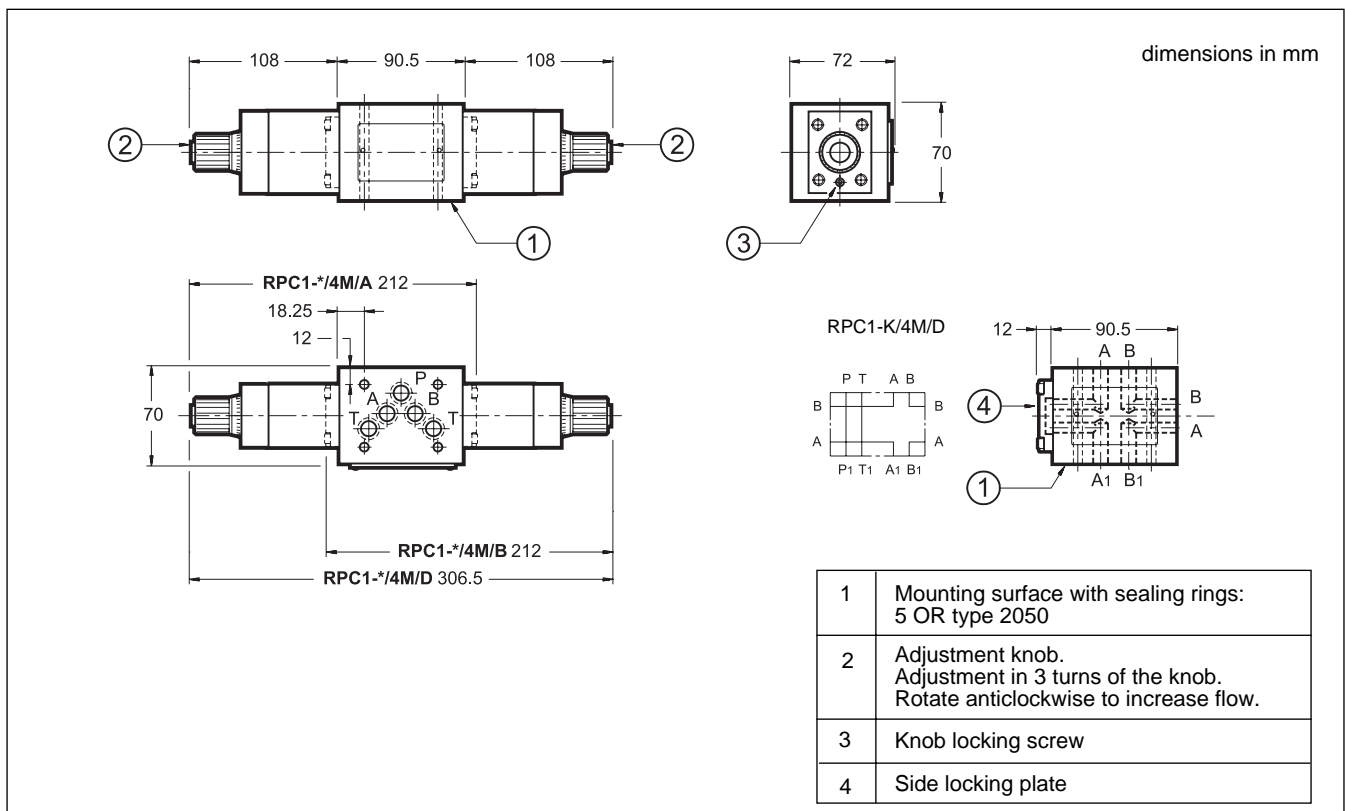
1 - IDENTIFICATION CODE



2 - HYDRAULIC FLUIDS

Use mineral oil-based hydraulic fluids, with the addition of suitable anti-frothing and anti-oxidizing agents. For the use of other types (water glycol, phosphate esters and others), please consult our technical department.

3 - OVERALL AND MOUNTING DIMENSIONS



	<p>DIPLOMATIC HYDRAULICS 20025 LEGNANO (MI) - P.le Bozzi, 1 / Via Edison Tel. 0331/472111 - Fax 0331/548328</p>
--	--