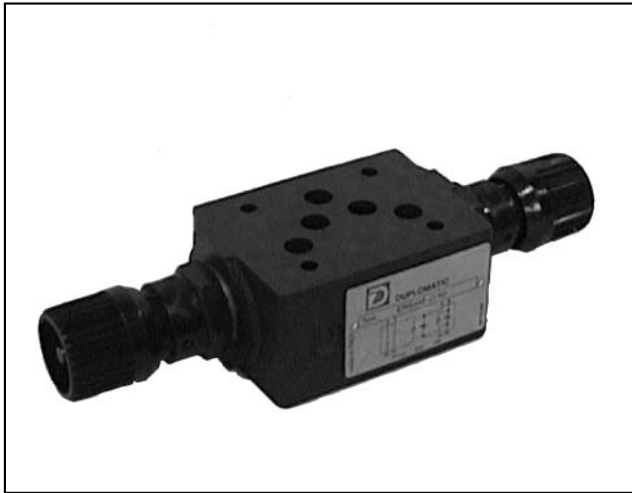




DIPLOMATIC
HYDRAULICS

64 300/197 ED



ERS4M

FLOW RESTRICTOR VALVE

SERIES 40

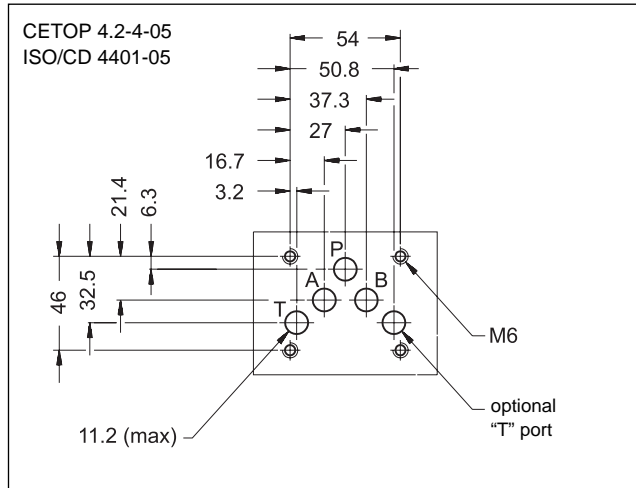
MODULAR VERSION

CETOP 05

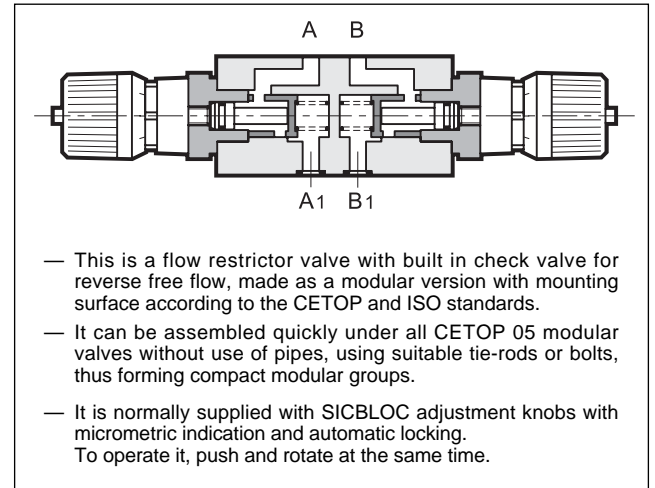
p max **320** bar

Q max (see performance ratings table)

MOUNTING INTERFACE



OPERATING PRINCIPLE



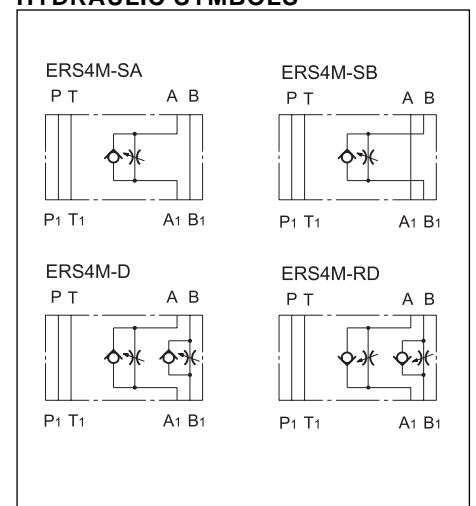
CONFIGURATIONS (see Hydraulic symbols table)

- Configuration "SA": is used in cases where control of the flow exiting from the actuator on line A is desired.
- Configuration "SB": is used in cases where control of the flow exiting from the actuator on line B is desired.
- Configuration "D": independently controls the flow exiting from the two chambers of the actuator.
- Configuration "RD": independently controls the flow entering the two chambers of the actuator.
- All configurations have a built in check valve that allows reverse free flow (cracking pressure of 0,5 bar).

PERFORMANCE RATINGS (measured with mineral oil of viscosity 36cSt at 50°C)

Maximum operating pressure	bar	320
Check valve cracking pressure	bar	0,5
Maximum flow rate in the controlled lines	l/min	80
Maximum flow rate in the free lines	l/min	100
Ambient temperature range	°C	-20 ÷ +50
Fluid temperature range	°C	-20 ÷ +70
Fluid viscosity range	cSt	2,8 ÷ 380
Recommended filtration	µm absolute	≤ 25
Recommended viscosity	cSt	25
Mass:	kg	3,1

HYDRAULIC SYMBOLS

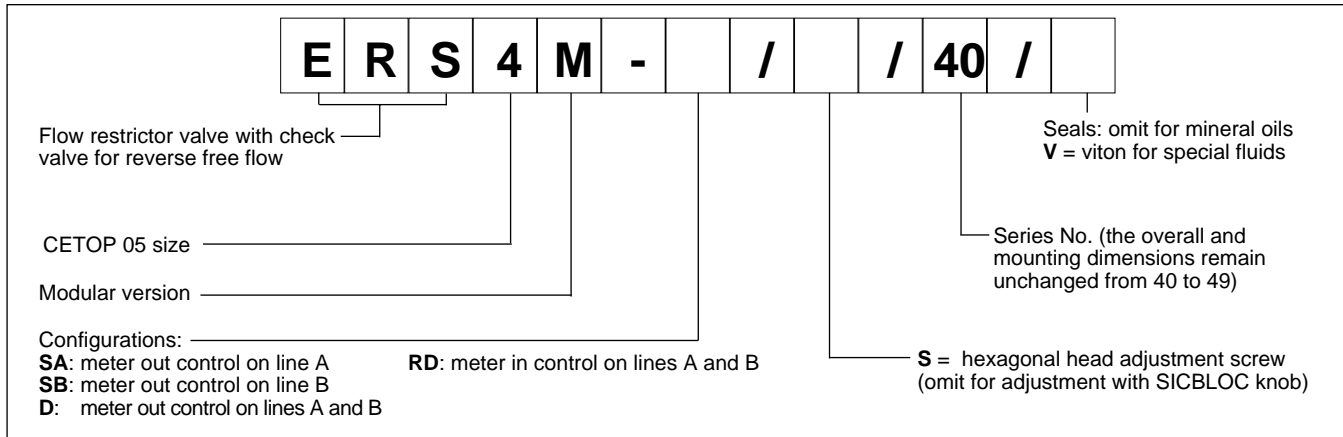




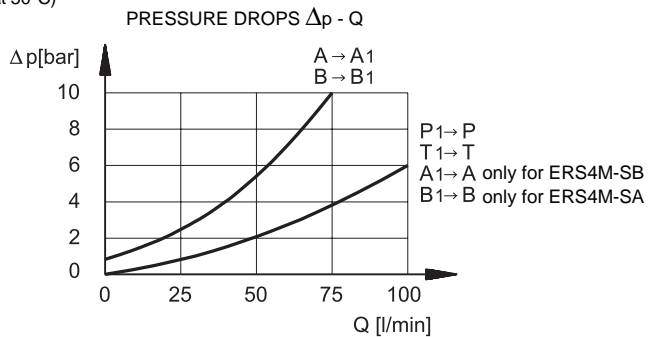
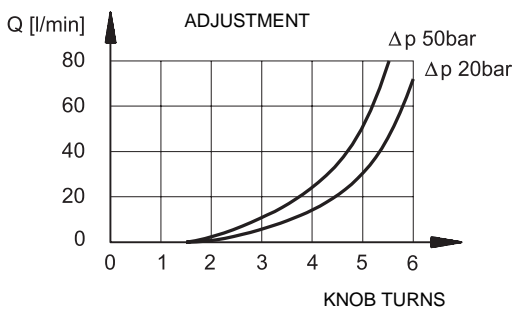
ERS4M

SERIES 40

1 - IDENTIFICATION CODE



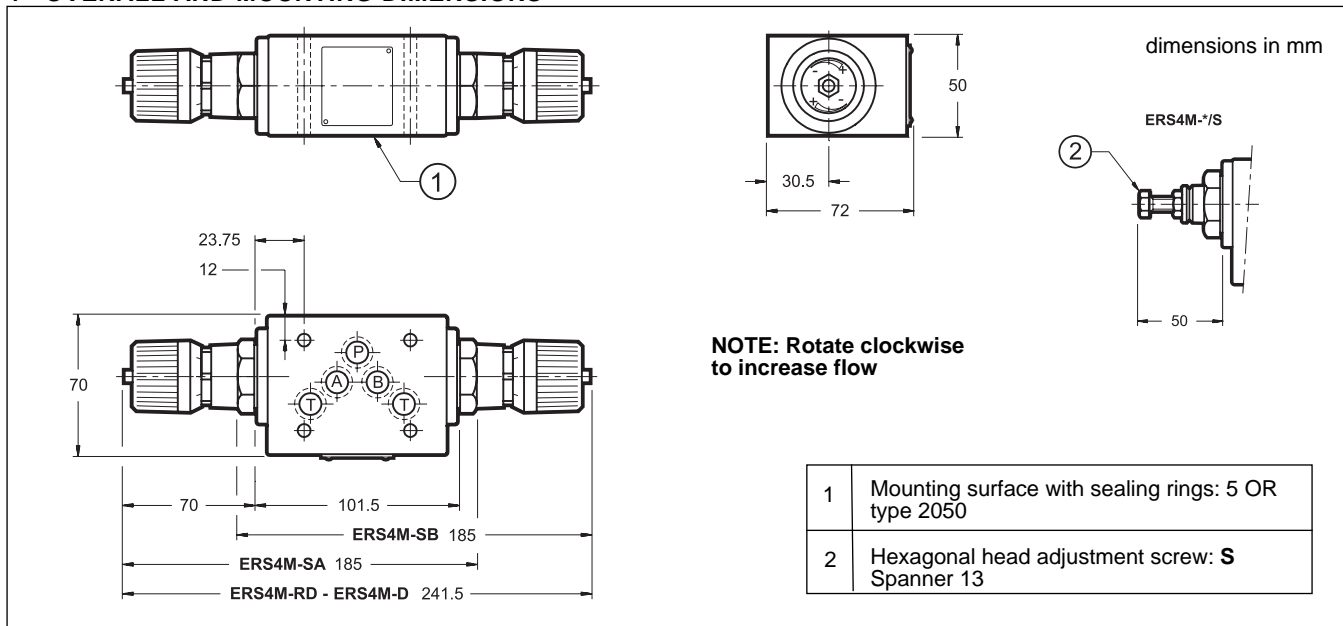
2 - CHARACTERISTIC CURVES (values obtained with viscosity of 36 cSt at 50°C)



3 - HYDRAULIC FLUIDS

Use mineral oil-based hydraulic fluids, with the addition of suitable anti-frothing and anti-oxidizing agents.
 For the use of other types (water glycol, phosphate esters and others), please consult our technical department.

4 - OVERALL AND MOUNTING DIMENSIONS



	<p>DIPLOMATIC OLEODINAMICA SpA 20025 LEGNANO (MI) - P.le Bozzi, 1 / Via Edison Tel. 0331/472111-472236 - Fax 0331/548328</p>
--	---