

P2X*M

MANIFOLDS FOR CETOP 03 VALVES WITH PORTS ON REAR

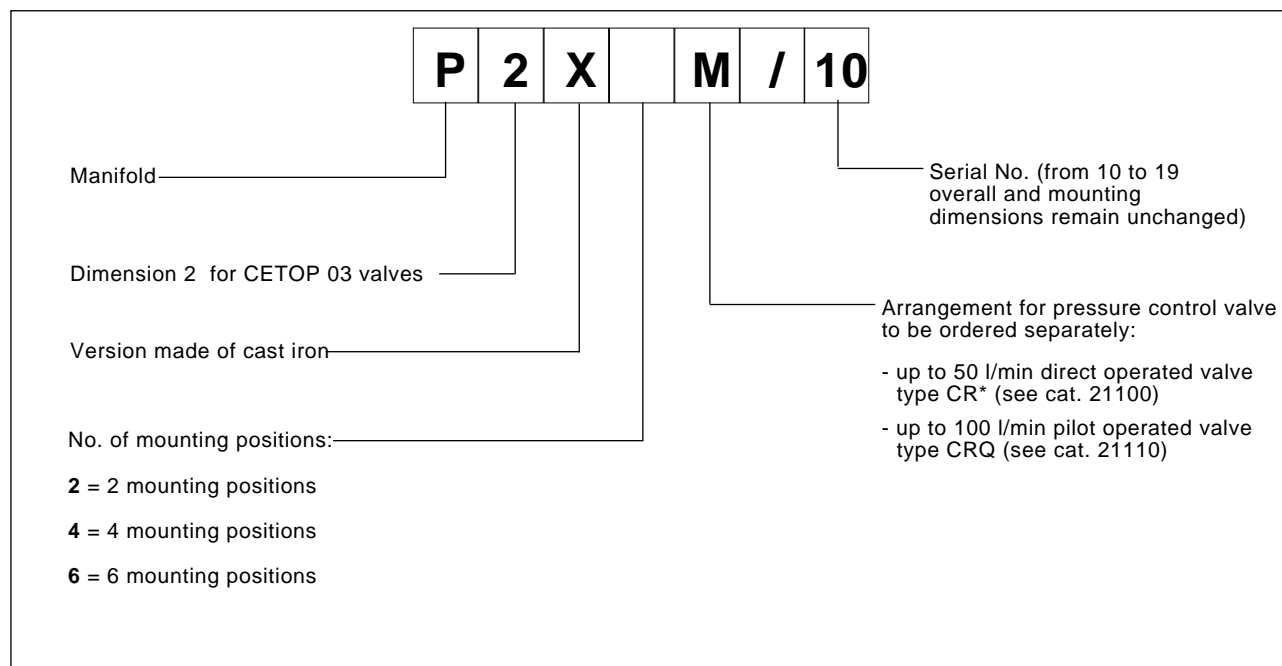
- The P2X*M series of manifolds is designed for connection in parallel of two or more CETOP 03 valves.
- The monocast design enables the simple creation of circuits without the use of pipes and fittings, thereby reducing overall dimensions to a minimum.
- Subplates are arranged for the installation of a pressure control valve with cartridge
- Each section is fitted with work ports A and B positioned on the rear of the subplate.
- Subplates are fitted with additional rear ports Pand T
- Subplates are made of cast iron.

p max 350 bar

Q max 100 l/min

Performance ratings			
Maximum working pressure	- P-A-B ports - T port	bar bar	350 140
Maximum flow		l/min	100
Ports dimensions:	P - port (pressure) T - port (drainage) B - port A - port (drainage)	BSP BSP BSP BSP	1/2" 1/2" 1/2" 1/2"
Ambient temperature range		°C	-20 ÷ +50
Fluid temperature range		°C	-20 ÷ +80
Fluid viscosity range		cSt	10 ÷ 400
Recommended viscosity		cSt	25
Fluid contamination range	According to NAS 1638 class 10		

1 - IDENTIFICATION CODE

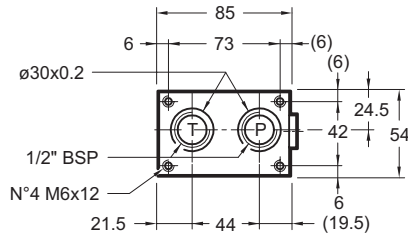




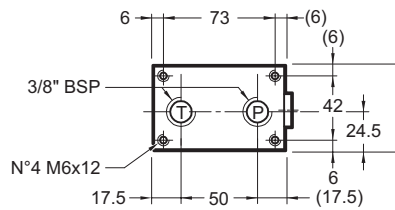
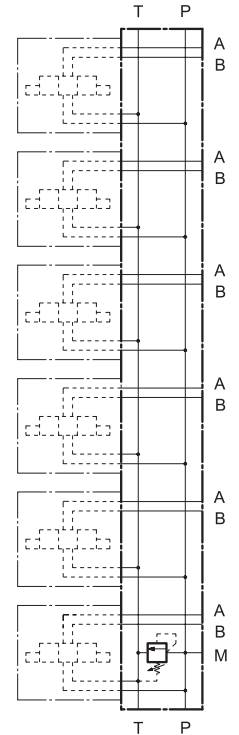
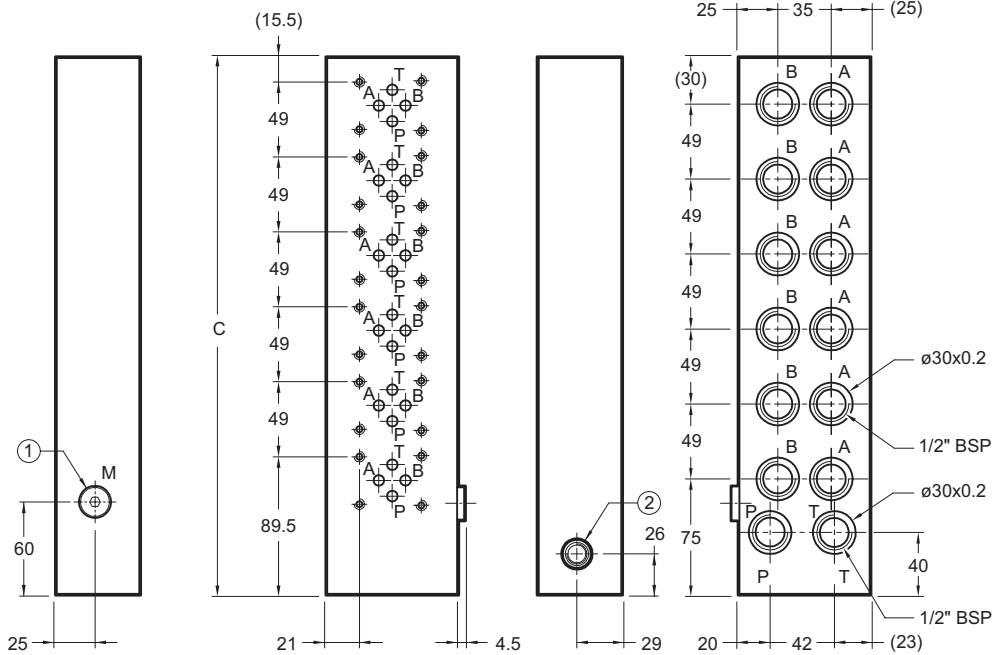
P2X*M

MANIFOLD FOR CETOP 03 VALVES

2 - OVERALL AND MOUNTING DIMENSIONS



Es. Subplate with 6 mounting positions and pressure control valve type CR*/21



dimensions in mm

Manifold	No. of valves mounting positions	C
P2X2M/10	2	150
P2X4M/10	4	250
P2X6M/10	6	350

1	Pressure gauge port 1/4" BSP plugged
2	Arranged for the installation of a pressure control valve (to be ordered separately - see parag. 1)



DIPLOMATIC OLEODINAMICA SpA

20025 LEGNANO (MI) - P.le Bozzi, 1 / Via Edison
Tel. 0331/472111-472236 - Fax 0331/548328