



VR*-P

CHECK VALVES

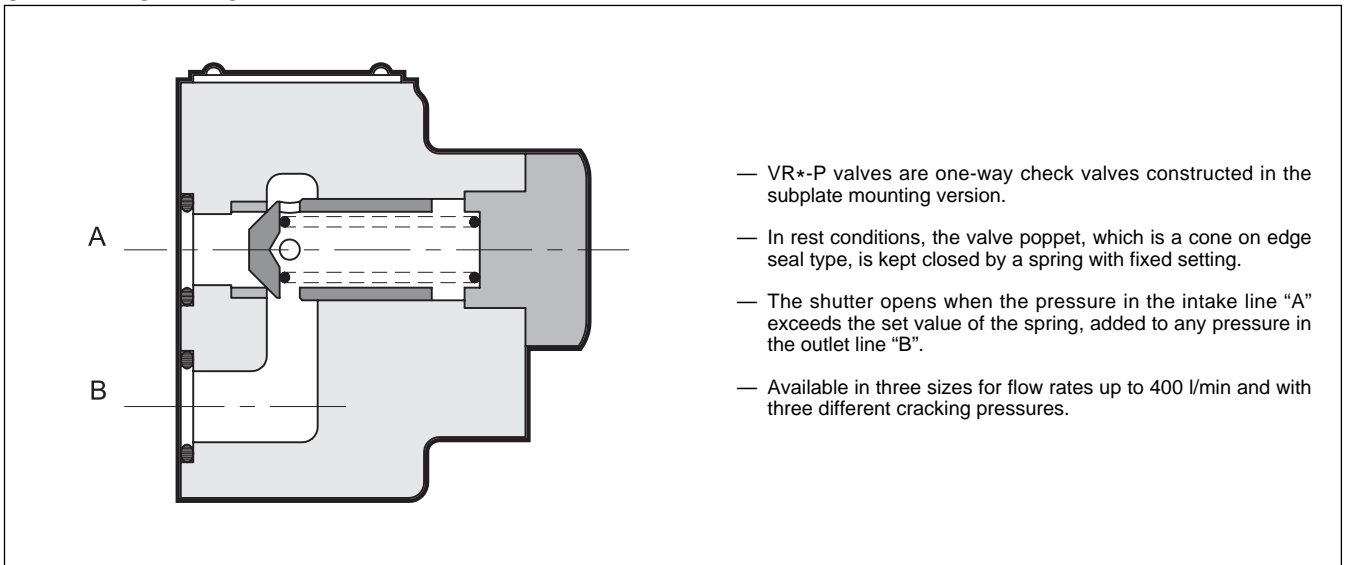
SERIES 10

SUBPLATE MOUNTING

p max (see technical specifications table)

Q max (see technical specifications table)

OPERATING PRINCIPLE

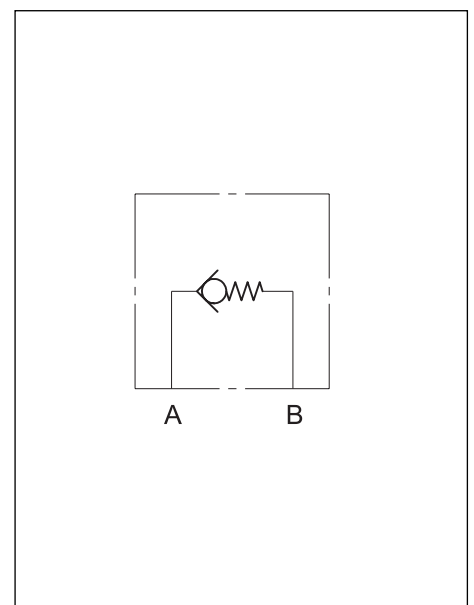


TECHNICAL SPECIFICATIONS

Valve code	Nominal dimension	Maximum flow rate l/min	Mass kg	Max. operating pressure bar
VR 3 - P	3/8"	100	2,3	350
VR 5 - P	3/4"	200	4,8	350
VR 7 - P	1" 1/4	400	9	250

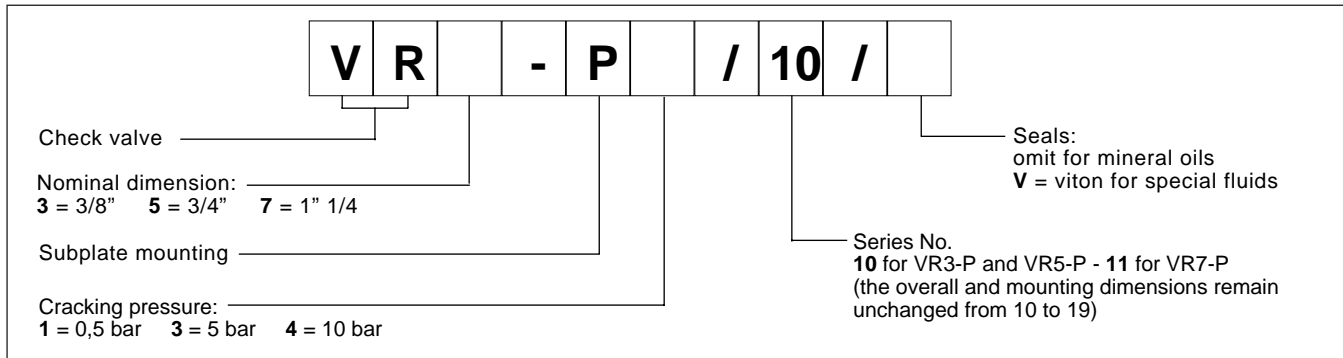
Ambient temperature range	°C	-20 ÷ +50
Fluid temperature range	°C	-20 ÷ +70
Fluid viscosity range	cSt	2,8 ÷ 380
Recommended filtration	µm absolute	≤ 25
Recommended viscosity	cSt	25

HYDRAULIC SYMBOL

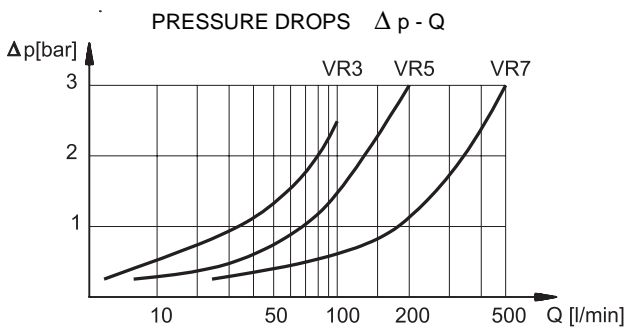




1 - IDENTIFICATION CODE



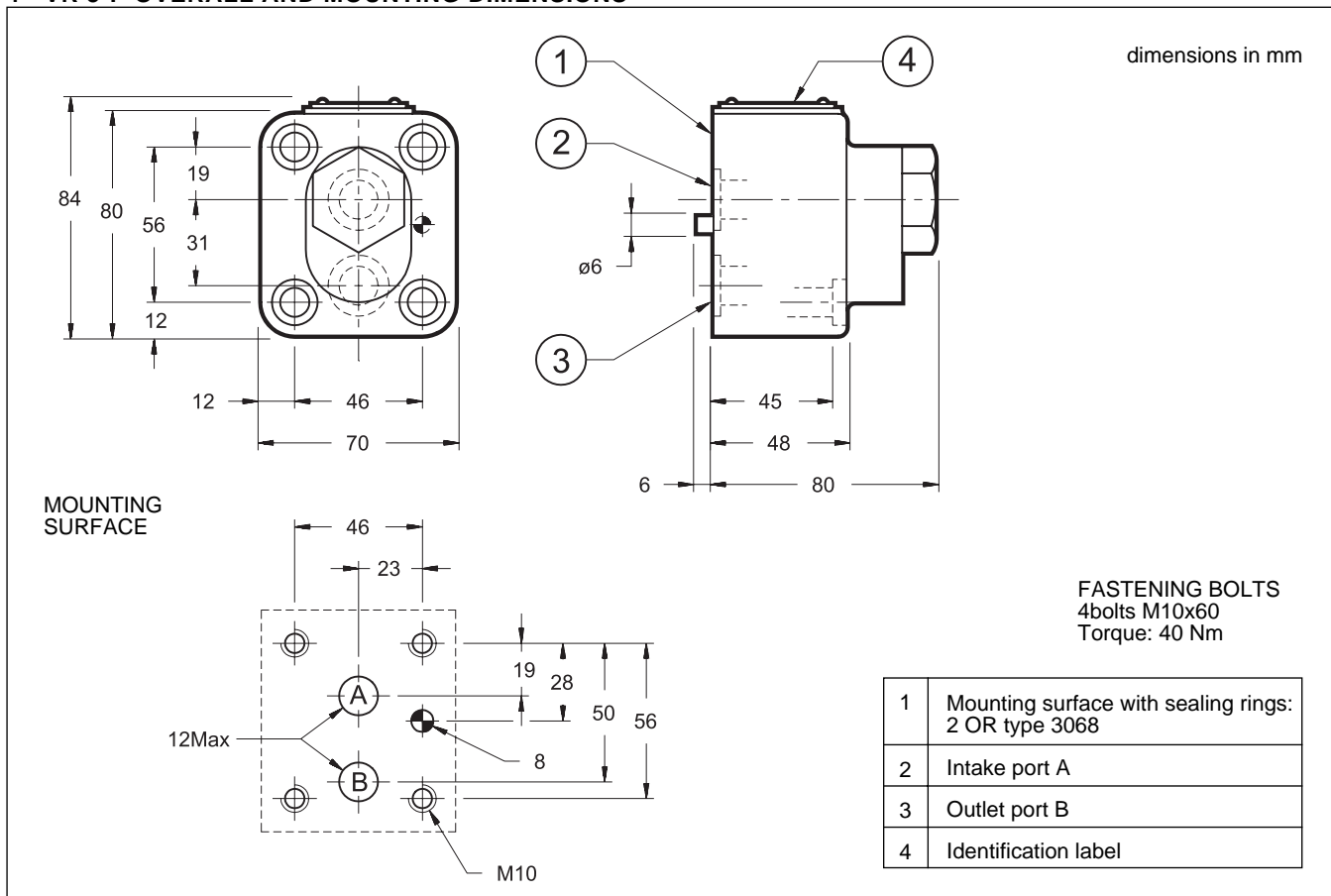
2 - CHARACTERISTIC CURVES (values obtained with viscosità 36 cSt at 50°C)



3 - HYDRAULIC FLUIDS

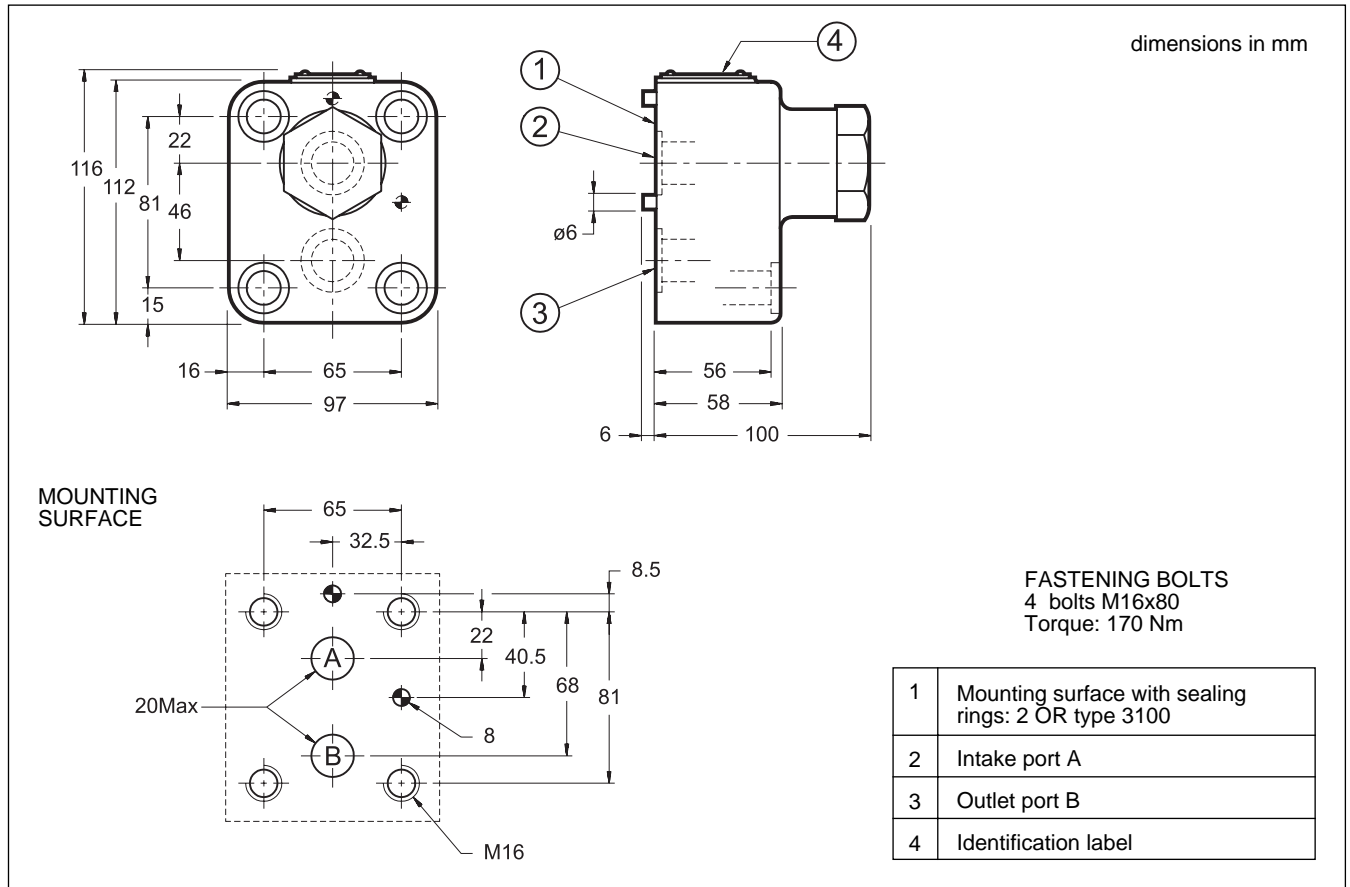
Use mineral oil-based hydraulic fluids, with the addition of suitable anti-frothing and anti-oxidising agents.
 For the use of other fluid types (water glycol, phosphate esters and others), please consult our technical department.

4 - VR 3-P OVERALL AND MOUNTING DIMENSIONS

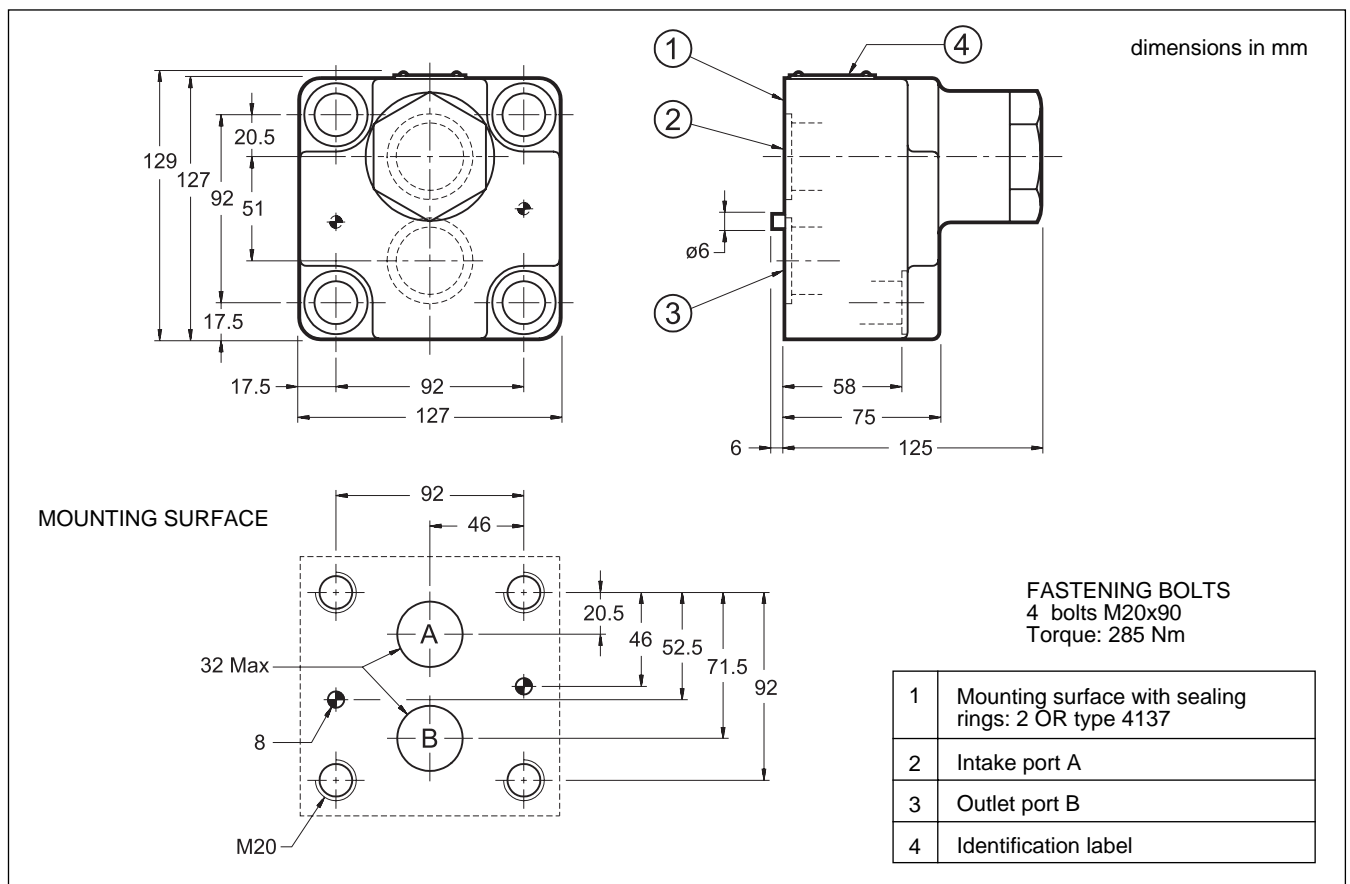




5 - VR 5-P OVERALL AND MOUNTING DIMENSIONS



6 - VR 7-P OVERALL AND MOUNTING DIMENSIONS





DIPLOMATIC OLEODINAMICA SpA
20025 LEGNANO (MI) - P.le Bozzi, 1 / Via Edison
Tel. 0331/472111-472236 - Fax 0331/548328