



DIPLOMATIC
HYDRAULICS

41 250/103 ED



MDD44

**SOLENOID OPERATED
DIRECTIONAL CONTROL VALVE
DIRECT CURRENT - SERIES 50
ALTERNATING CURRENT - SERIES 55**

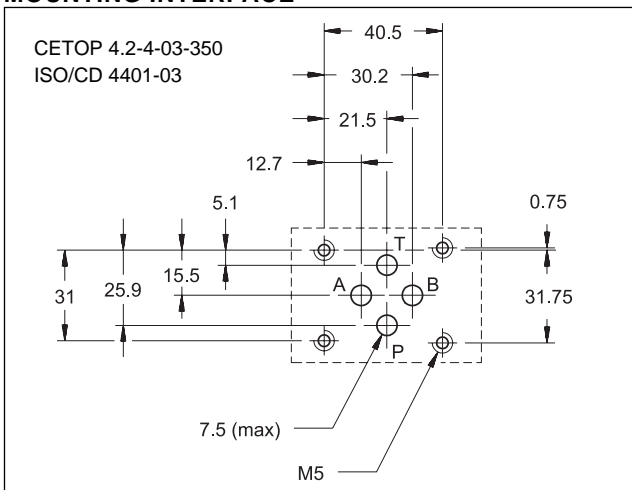
MODULAR VERSION

CETOP 03

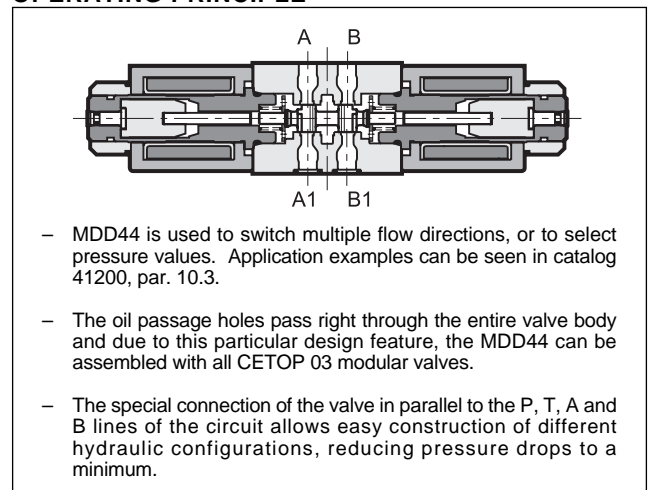
p max 350 bar

Q max 50 l/min

MOUNTING INTERFACE



OPERATING PRINCIPLE



VALVE CONFIGURATIONS (see Hydraulic symbols table)

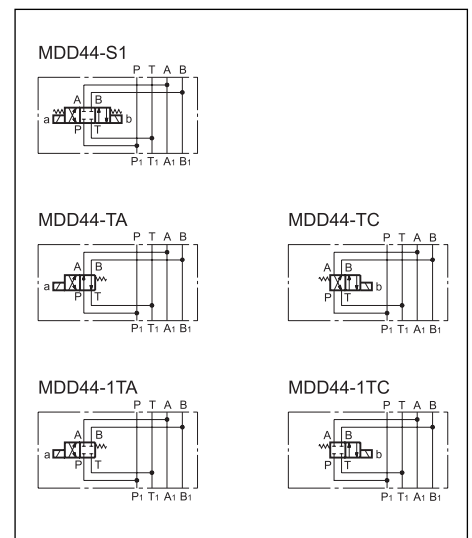
- Type "S": a 4-double way, 3-position, 2-solenoid directional valve; positioning of the spool at rest is obtained with centering springs.
- Type "TA/TC": a 4-double way, 2-position, one solenoid directional valve; positioning of the spool at rest is obtained with a return spring.

PERFORMANCE RATINGS (working with mineral oil of viscosity of 36 cSt at 50°C)

Maximum operating pressures:	- ports P A B	bar	350
	- port T (DC)	bar	210
	- port T (AC)	bar	140
Maximum flow rate:	- ports P A B T	l/min	50
Ambient temperature range		°C	-20 ÷ +50
Fluid temperature range		°C	-20 ÷ +80
Fluid viscosity range		cSt	10 ÷ 400
Recommended viscosity		cSt	25
Degree of fluid contamination	according to NAS 1638 class 10		
Mass:	MDD44-S	kg	2,0
	MDD44-TA/TC	kg	1,5

Operating limits (see catalogue 41200, par. 5): the indicated values must be reduced by 30%.

HYDRAULIC SYMBOLS

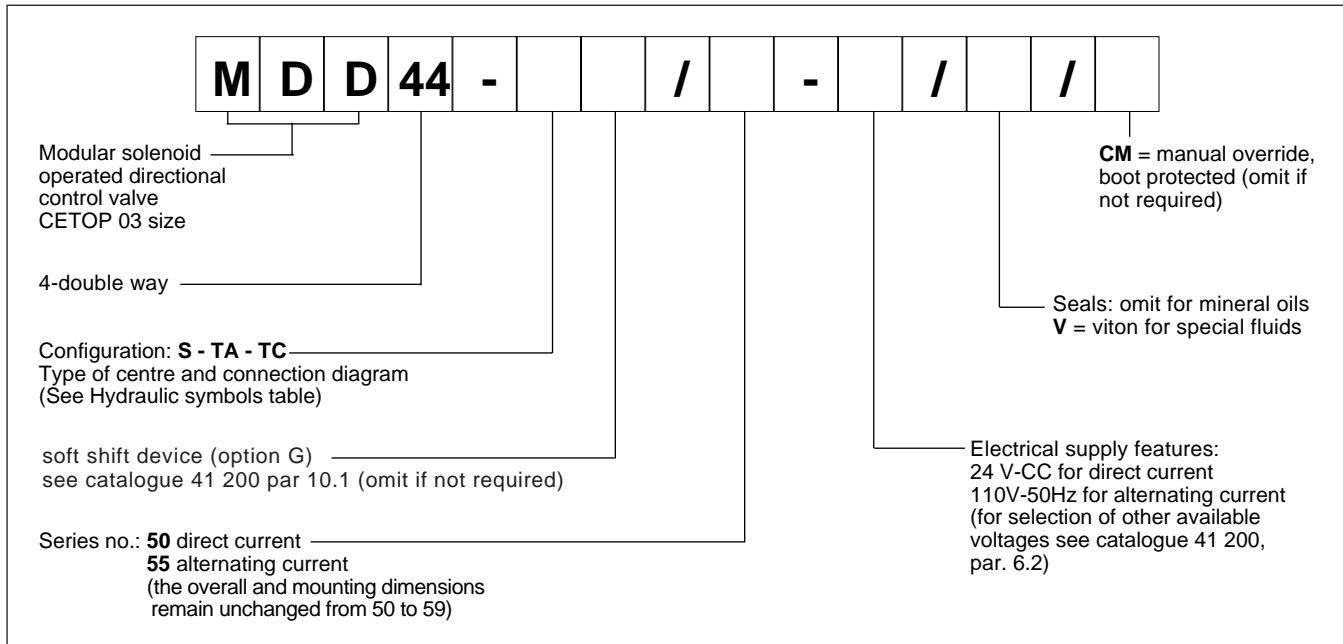




MDD44

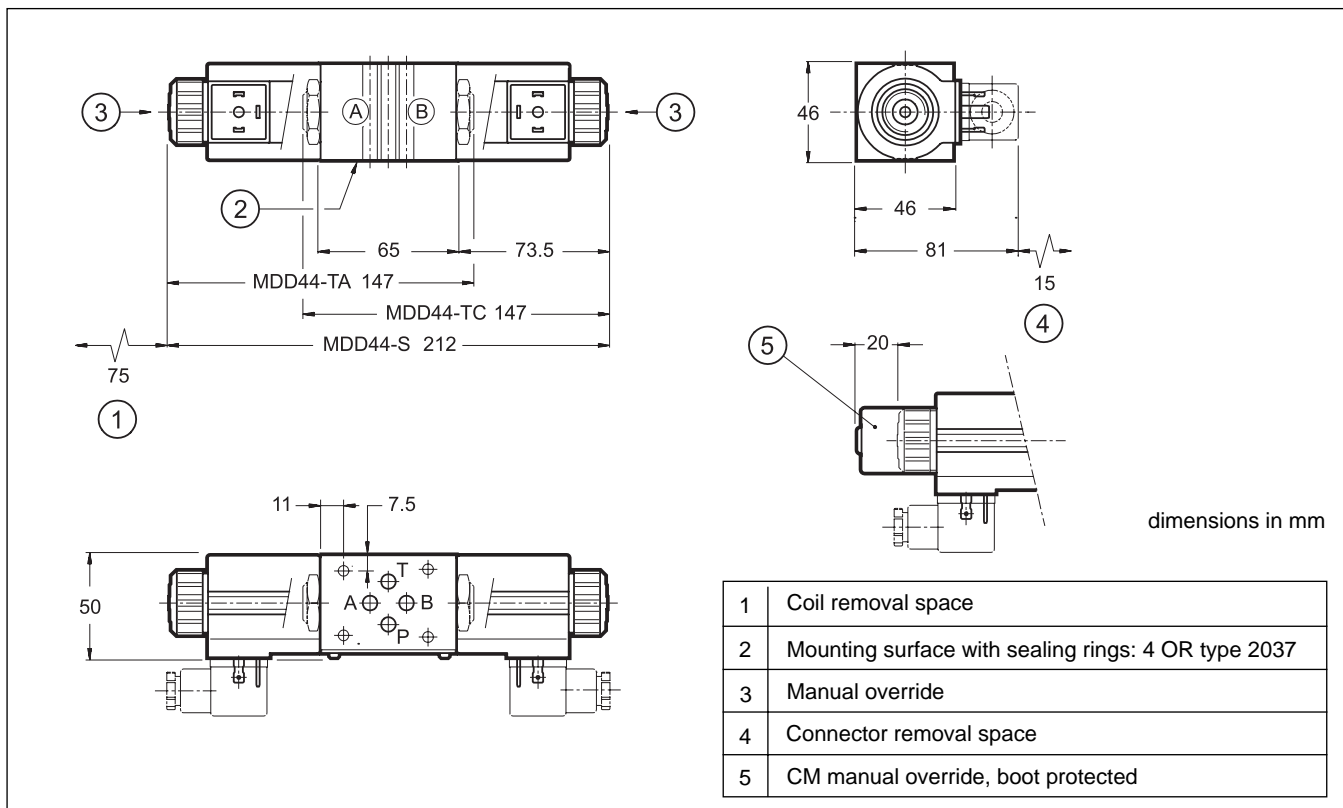
SERIES 50 and 55

1 - IDENTIFICATION CODE



NOTE: The solenoid valves are never supplied with connector. Connectors must be ordered separately. For the identification of the connector type to be ordered, please see catalogue 49 000.

2 - OVERALL AND MOUNTING DIMENSIONS



	<p>DIPLOMATIC OLEODINAMICA SpA 20025 LEGNANO (MI) - P.le Bozzi, 1 / Via Edison Tel. 0331/472111-472236 - Fax 0331/548328</p>
--	---