



DIPLOMATIC
HYDRAULICS

31 200/103 ED

RS*

**DOUBLE-ACTING THROTTLE
FLOW CONTROL VALVE
SERIES 30**



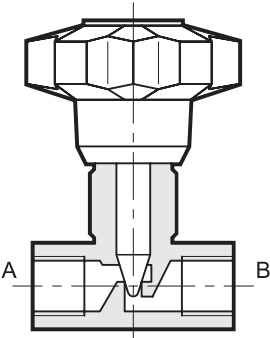
THREADED PORTS

CARTRIDGE TYPE

p max (see technical specifications table)

Q max (see technical specifications table)

OPERATING PRINCIPLE



- The RS* and RS*-I valves are throttle flow control valves for in-line mounting, directly in the line or as a cartridge complete with threading for in-block mounting.
- Adjustment is obtained with a conical throttle that operates in a cylindrical seat and allows a good linearity of the adjusted flow.
- They are also used as flow shut-off valves since they guarantee good sealing when completely closed.
- The valves are always supplied with an adjustment knob that can be locked in any position with a transverse positioned grub screw, as may be required.

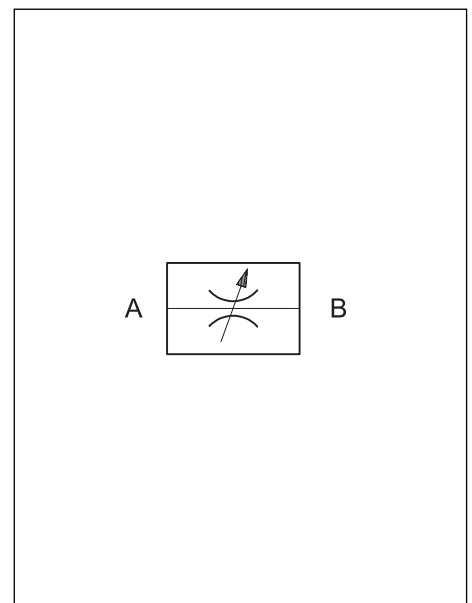
TECHNICAL SPECIFICATIONS (obtained with mineral oil with viscosity of 36 cSt at 50°C)

Valve code	Port dimensions BSP	Nominal flow rate [l/min]	Mass [kg]	Max. operating pressure [bar]
RS2	1/4"	15	0,2	400
RS3	3/8"	30	0,4	
RS4	1/2"	50	0,6	
RS5	3/4"	80	1,3	
RS6	1"	150	2,6	320
RS7	1.1/4"	200	3,0	
RS8	1.1/2"	220	4,2	

RS2-I	—	15	0,15	320
RS3-I	—	30	0,2	
RS4-I	—	50	0,3	
RS5-I	—	80	0,6	
RS6-I	—	150	1,2	

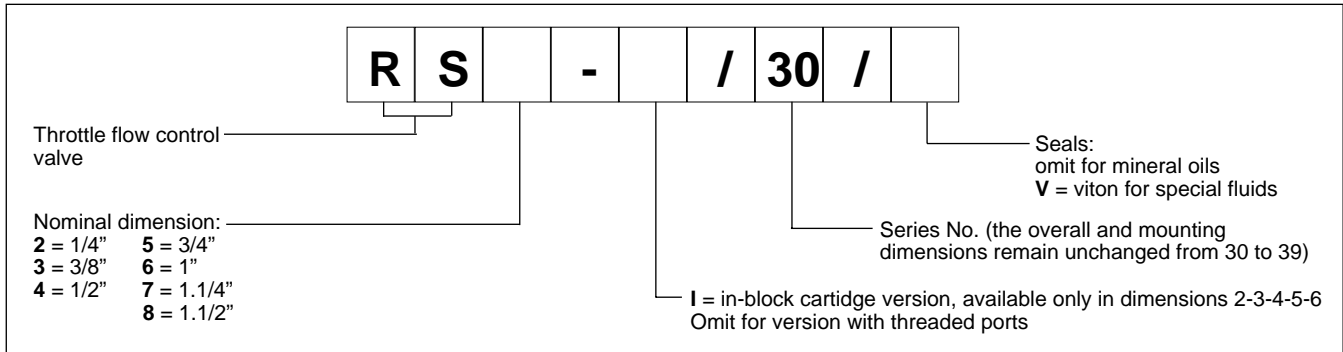
Ambient temperature range	°C	-20 ÷ +50
Fluid temperature range	°C	-20 ÷ +80
Fluid viscosity range	cSt	10 ÷ 400
Recommended viscosity	cSt	25
Degree of fluid contamination	According to NAS 1638 class 10	

HYDRAULIC SYMBOL





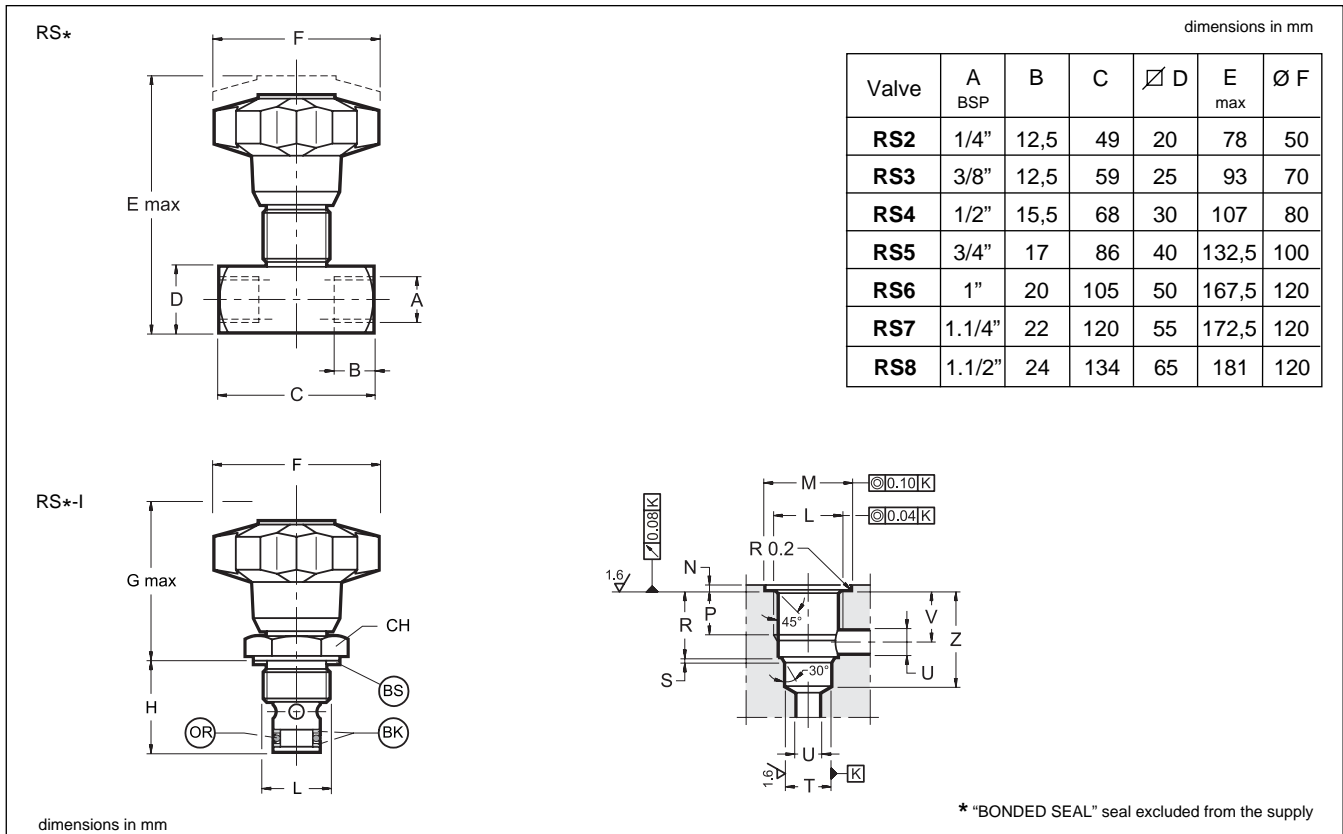
1 - IDENTIFICATION CODE



2 - HYDRAULIC FLUIDS

Use mineral oil-based hydraulic fluids, with the addition of suitable anti-frothing and anti-oxidizing agents. For the use of other types (water glycol, phosphate esters and others), please consult our technical department.

3 - OVERALL AND MOUNTING DIMENSIONS



Valve	∅ F	G max	H	L 6H	∅ M +0.2 0	N	P min	R ±0.2	S +0.2 0	∅ T H8	∅ U max	V ±0.2	Z min	CH	OR type	BK type	BS* type
RS2-I	50	49,5	26,5	M20x1.5	27	1	12	16.5	1	14	5	13.3	27	27	2043	2043	400-513
RS3-I	70	57,5	30,5	M20x1.5	27	1	12	20	1.2	16	8	15.2	32	27	2050	2050	400-513
RS4-I	80	66,5	40	M27x2	33	1.3	18	28	1.2	19	10	22	41	32	2062	2062	400-520
RS5-I	100	76,5	44	M33x2	40	1.3	18	30.5	1.2	27	12	23	45.5	41	130	130	400-515
RS6-I	120	102	52,5	M42x2	50	1.3	21,5	36.5	1.5	35	16	28,5	55	50	3118	3118	400-516

DIPLOMATIC OLEODINAMICA SpA
 20025 LEGNANO (MI) - P.le Bozzi, 1 / Via Edison
 Tel. 0331/472111-472236 - Fax 0331/548328