



**DIPLOMATIC  
HYDRAULICS**

21 200/197 ED



# CD1-W

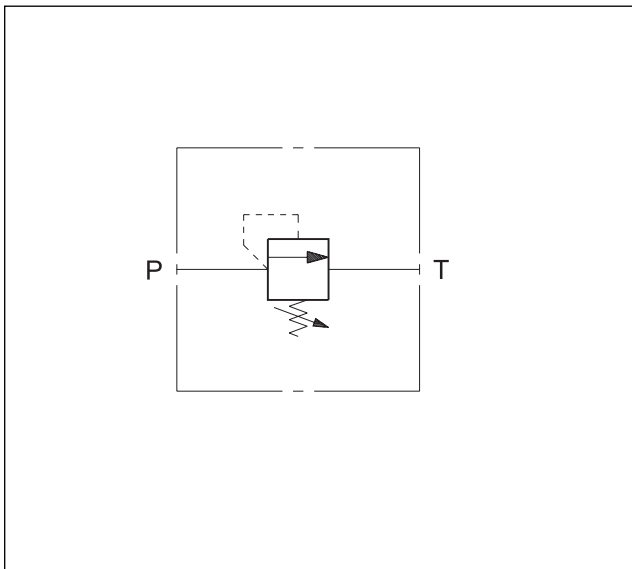
**DIRECT OPERATED  
PRESSURE CONTROL  
VALVE  
SERIES 10**

## THREADED PORTS

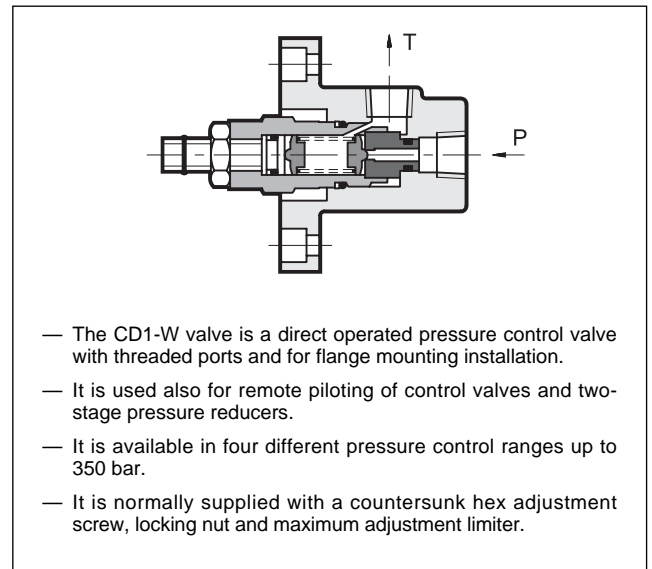
**p max 350 bar**

**Q max 3 l/min**

## HYDRAULIC SYMBOL



## OPERATING PRINCIPLE



## PERFORMANCE RATINGS (measured with mineral oil of viscosity 36 cSt at 50°C)

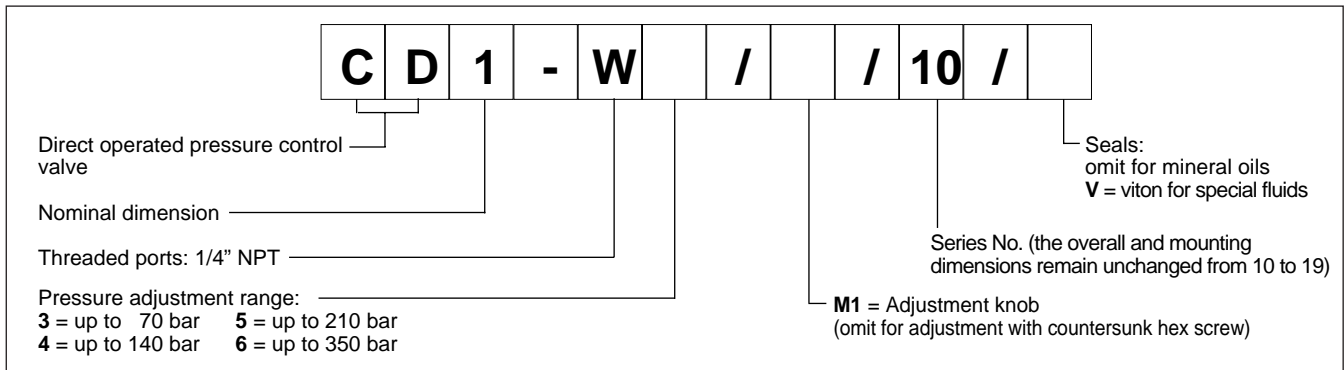
|                             |             |           |
|-----------------------------|-------------|-----------|
| Maximum operating pressure  | bar         | 350       |
| Minimum controlled pressure | see diagram |           |
| Maximum flow rate           | l/min       | 3         |
| Ambient temperature range   | °C          | -20 ÷ +50 |
| Fluid temperature range     | °C          | -20 ÷ +70 |
| Fluid viscosity range       | cSt         | 2,8 ÷ 380 |
| Recommended filtration      | µm absolute | ≤ 25      |
| Recommended viscosity       | cSt         | 25        |
| Mass                        | kg          | 1,2       |



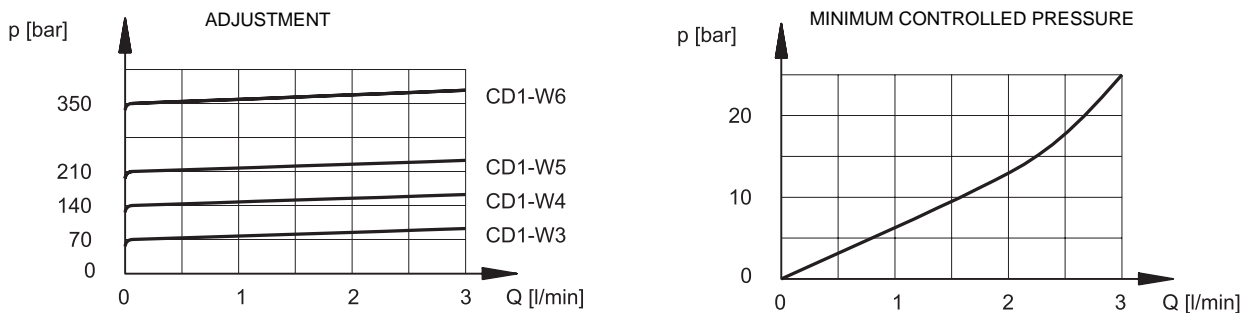
# CD1-W

## SERIES 10

### 1 - IDENTIFICATION CODE



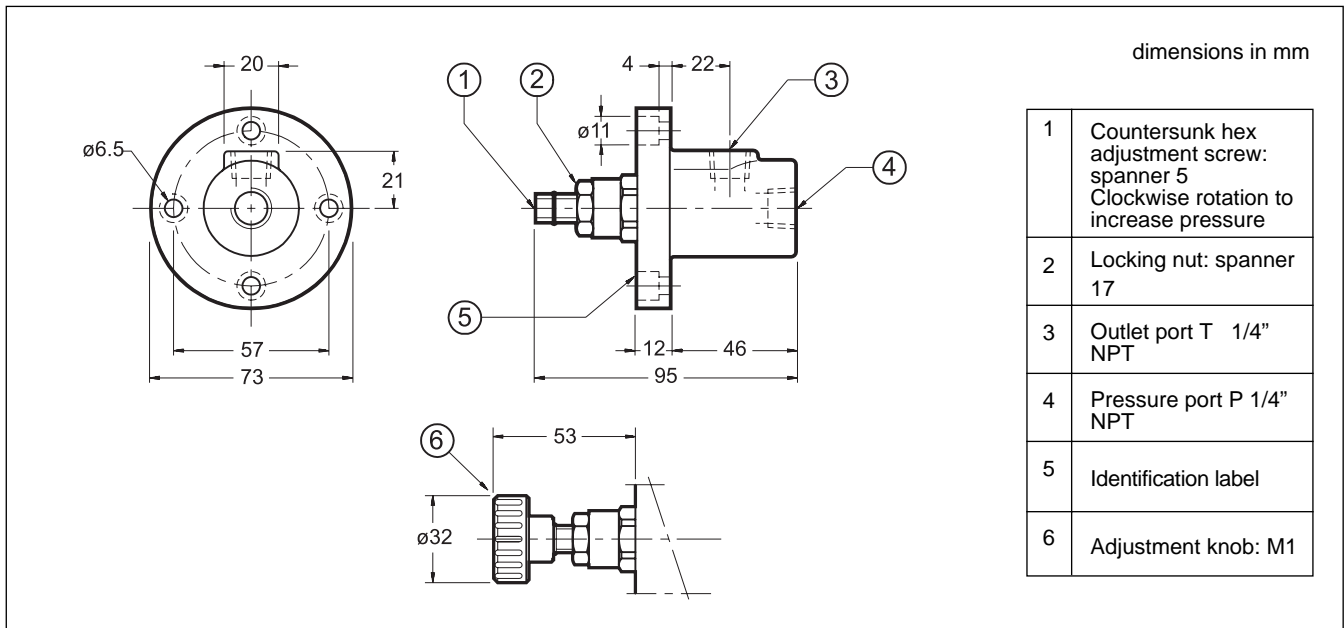
### 2 - CHARACTERISTIC CURVES (values obtained with viscosity of 36 cSt at 50°C)



### 3 - HYDRAULIC FLUIDS

Use mineral oil-based hydraulic fluids, with the addition of suitable anti-frothing and anti-oxidizing agents. For the use of other types (water glycol, phosphate esters and others), please consult our technical department.

### 4 - OVERALL AND MOUNTING DIMENSIONS



**DIPLOMATIC OLEODINAMICA SpA**  
20025 LEGNANO (MI) - P.le Bozzi, 1 / Via Edison  
Tel. 0331/472111-472236 - Fax 0331/548328